

U-PVC MOTORIZED BALL VALVES

2 WAYS DN 15 ÷ DN 50 UNIONS TO BE GLUED OR FEMALE THREADED

The valves, ready to be motorized, are made in **U-PVC**, unplasticized polyvinyl chloride, high quality compound which guarantees excellent mechanical properties, life and chemical stability.

The valves are designed for industrial and civil use at an **allowable continuous operating pressure of 16 bar** (continuous service at 20 °C for 50 years).

The seal is assured by **two seats in PTFE** with **o-ring in EPDM** (FKM available) to get durability and a soft operation. With the lever on issue, without any special tool, it's possible to **set the tightening** of the seats or to open the valve body for inspection. The pipe unions are **female threaded Gas ISO 228** or smooth, ready **to be glued** to the pipes.



VALVE BODY FEATURES

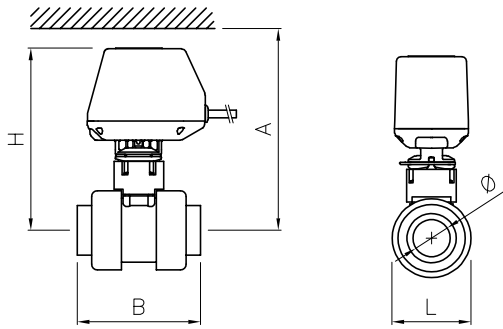
Body valve material *	PVC - U
Continuous operating pressure	16 bar
Temperature range *	0 °C + 60 °C
Certifications	drinkable water sea water
Total flow Inspectionable valve body Seats in PTFE with o-ring in EPDM * Shaft with double o-ring in EPDM *	

SERVOMOTORS FEATURES

Supply voltage *	24 or 230 Vac
Control type	2 or 3 wires
Static torque	from 12 to 20 Nm
Electric protection rating	up to IP65
Operation time *	60 " x 90° *

* Available valve body in ABS or in PPH with temperature range - 40 °C ÷ 95 °C, O - ring in FKM, special servomotors.

OVERALL DIMENSIONS DN 15 ÷ DN 40



Ball bore DN	Unions to be glued Ø	Threaded unions Ø	H	A	B	L
15	20	1/2"	143	163	81	64
20	25	3/4"	150	170	92	64
25	32	1"	157	177	107	68
32	40	1" 1/4	165	185	123	80
40	50	1" 1/2	177	197	146	96

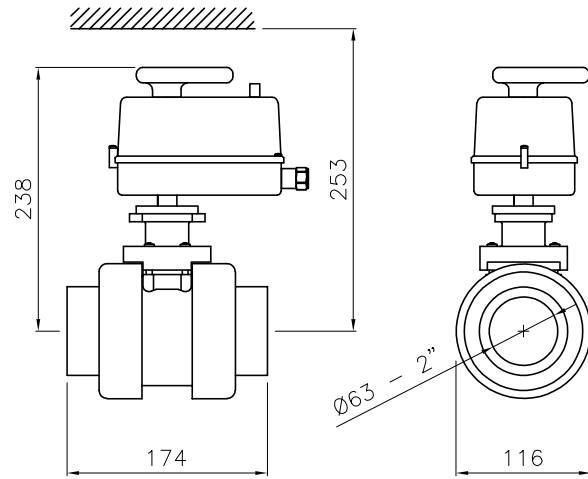
VALVES CODES WITH UNIONS TO BE GLUED

CODE	Ball bore DN	Unions to be glued Ø	COUPLED SERVOMOTORS
432 IK	15	20	M7B3XS - M7C3XS R7B3XS - R7C3XS P7B3XS - P7C3XS T7B3XS - T7C3XS
402 IK	20	25	
412 IK	25	32	
422 IK	32	40	
442 IK	40	50	
452 IK	50	63	M8IB9 - R8IB9 SERIES

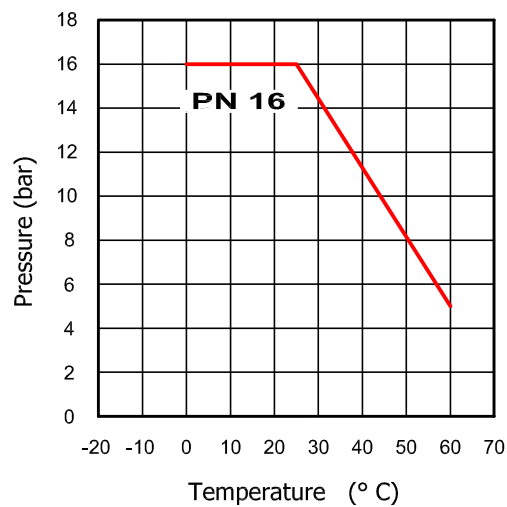
VALVES CODES WITH THREADED UNIONS

CODE	Ball bore DN	Threaded unions Ø	COUPLED SERVOMOTORS
432 FK	15	1/2"	M7B3XS - M7C3XS R7B3XS - R7C3XS P7B3XS - P7C3XS T7B3XS - T7C3XS
402 FK	20	3/4"	
412 FK	25	1"	
422 FK	32	1" 1/4	
442 FK	40	1" 1/2	
452 FK	50	2"	M8IB9 - R8IB9 SERIES

OVERALL DIMENSIONS DN 50



PRESSURE - TEMPERATURE ALLOWABLE RANGE



PRESSURE DROPS

