

STAINLESS STEEL MOTORIZED BALL VALVES

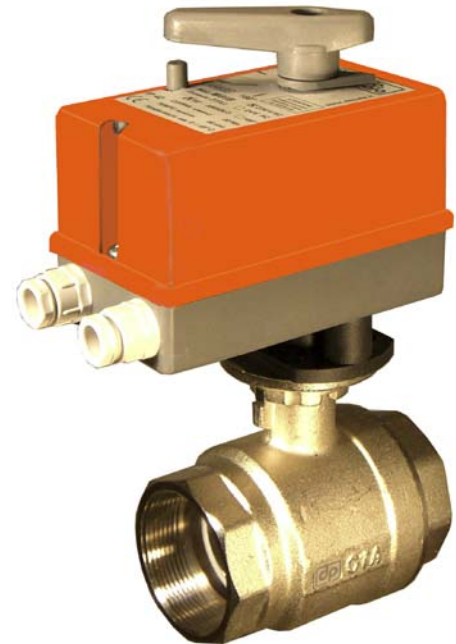
2 and 3 WAYS DN 15 ÷ DN 50 FEMALE THREADED ATTACHMENTS

The valves, ready to be motorized, are made in **AISI 316 stainless steel**, material which guarantees excellent mechanical properties, **maximum operating pressure 63 bar**, long life and corrosion stenght.

The valves are designed for industrial and civil use and for chemical plants to convey many type of fluids, oils and hydrocarbons included; the valves are not intended for use with steam.

The seal is assured by **seats in reinforced PTFE** with **o-ring in FKM** (Viton ®) to get durability and chemical stability for many applications.

The pipe unions are **female threaded Gas ISO 228**.



VALVE BODY FEATURES	
Ball and body valve material	AISI 316
Max. operating pressure	63 bar
Fluid temperature range	-25 °C + 180 °C
Connection to servomotor	Flange ISO 5211
Total flow Reinforced TFE seats Rod in AISI 316 with o-ring in FKM (Viton ®) Not intended for use with steam	

SERVOMOTORS FEATURES	
Supply voltage *	24 or 230 Vac
Control type	2 or 3 wires
Static torque	from 12 to 50 Nm
Electric protection rating	up to IP65
Operation time *	60 " x 90°
Rotation *	bidirectional

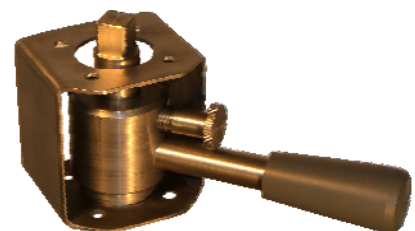
* Special servomotors available

Handle for manual valve drive available

A large choice of **spacers** is disposable when the body valve must be insulated.

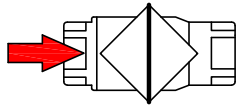
The spacer are **without or with manual override**. The first one only spaces the body valve and the servomotor, the second one enables further the possibility to disengage the servomotor and to drive manually the body valve, e. g. emergency operation.

Moreover, with servomotor engaged, the lever works as an indicator to know immediatly the flows across the valve.

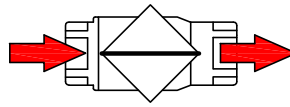


Spacer with manual override

2 WAYS VALVE



CLOSED POSITION

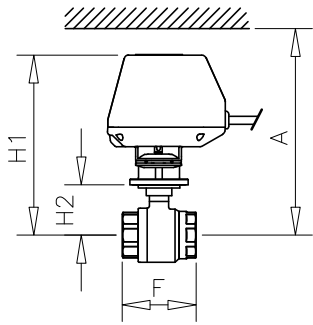


OPEN POSITION

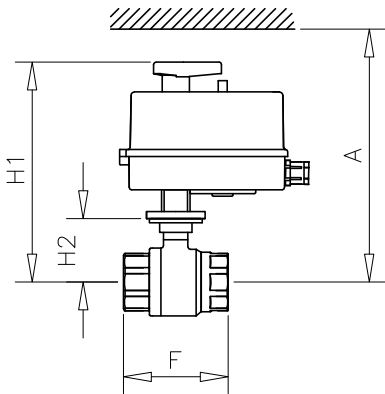
DN	Threaded unions Ø	F	H1	H2	A	STATIC TORQUE	ISO 5211 FLANGE
15	1/2"	57	149	37	169	5 Nm	F03/F04 □9
20	3/4"	64	155	43	175	8 Nm	
25	1"	77	183	46	198	10 Nm	F04/F05 □11
32	1" 1/4	90	191	54	206	14 Nm	
40	1" 1/2	105	274 *	60	294	18 Nm	F05/F07 □14
50	2"	125	282 *	68	302	25 Nm	

* with spacer H 70 mm

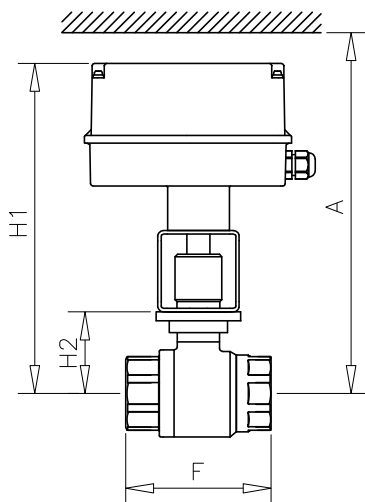
1/2" - 3/4"



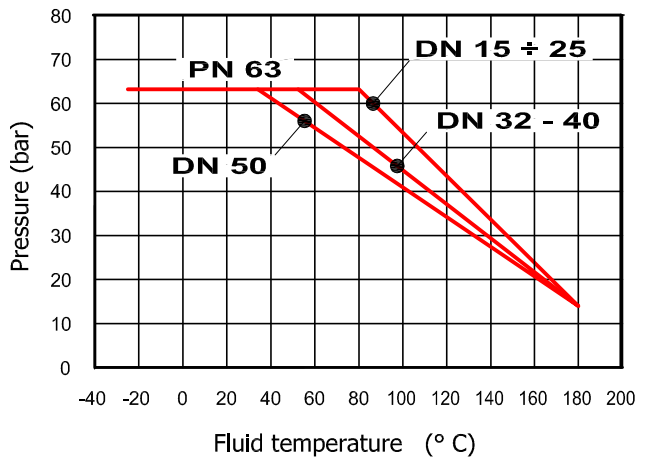
1" - 1" 1/4



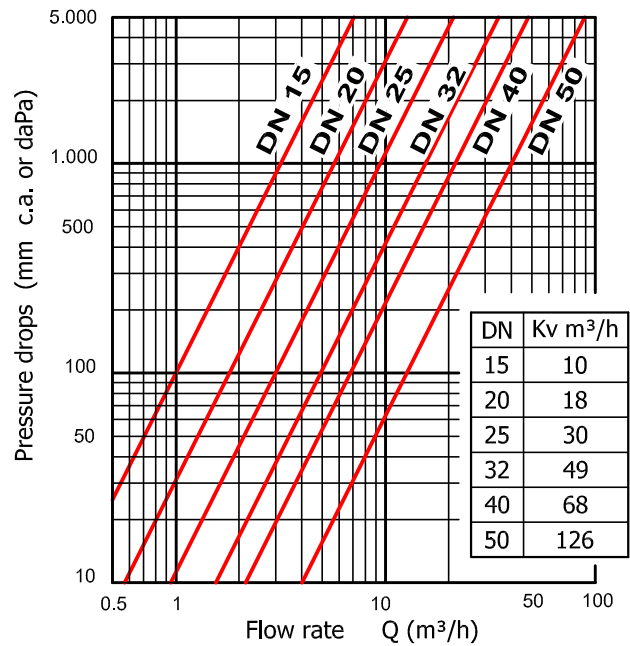
1" 1/2 - 2"



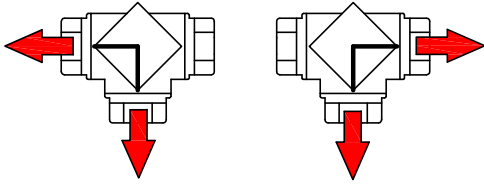
PRESSURE - TEMPERATURE ALLOWABLE RANGE



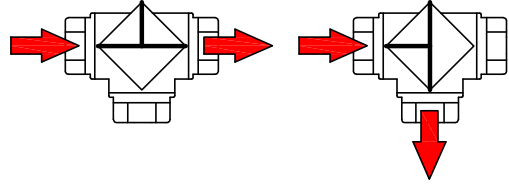
PRESSURE DROPS



3 WAYS VALVE DEVIATING "L" BORED

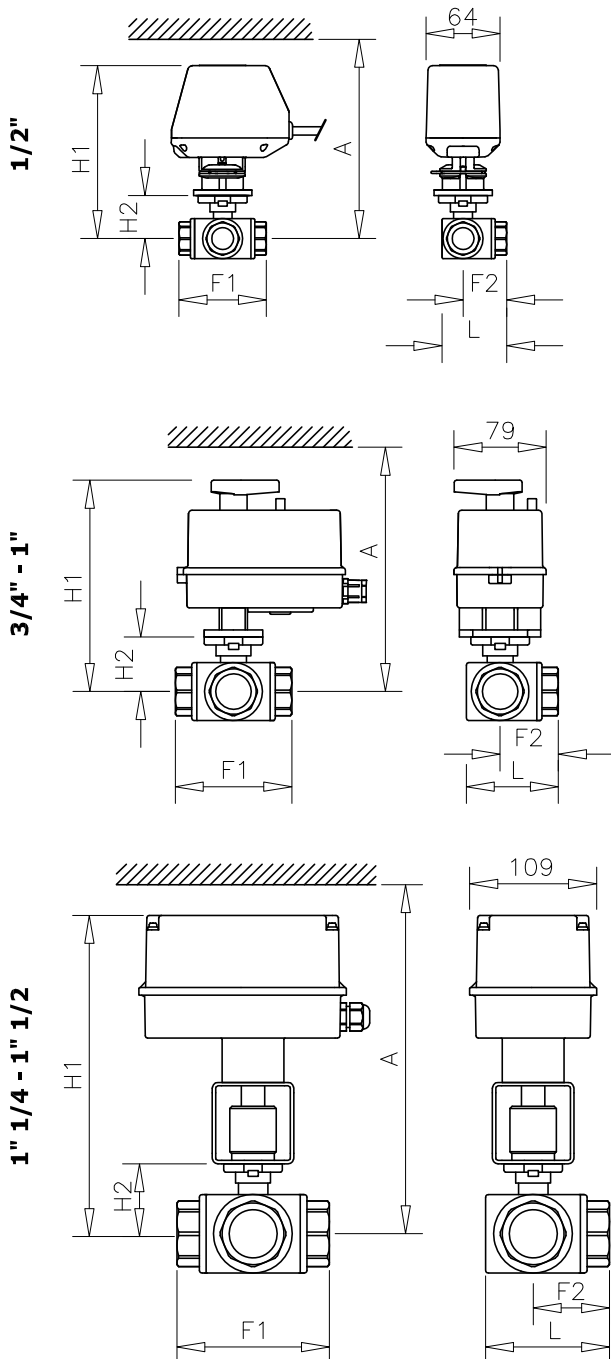


3 WAYS VALVE LATERAL DEVIATING

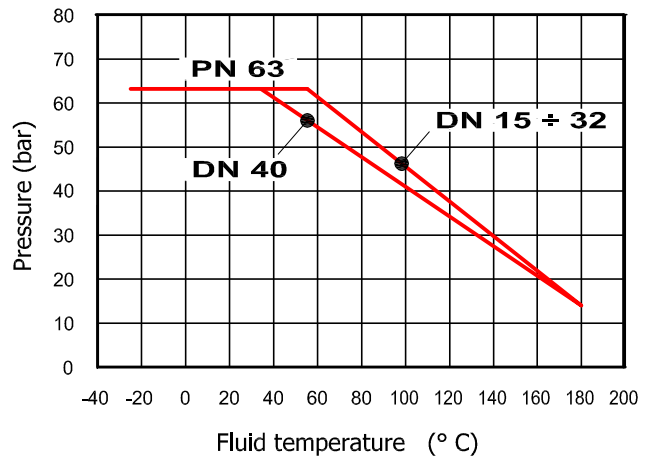


DN	Threaded uncons Ø	F1	F2	L	H1	H2	A	STATIC TORQUE	ISO 5211 FLANGE
15	1/2"	75	37.5	57.5	149	37	169	8 Nm	F03/F04 □9
20	3/4"	85	42.5	65.5	178	41	193	9 Nm	F04/F05 □11
25	1"	100	50	79	184	47	199	15 Nm	F04/F05 □11
32	1" 1/4	122	61	97	270 *	56	290	20 Nm	F05/F07 □14
40	1" 1/2	131	66.5	106.5	274 *	60	294	30 Nm	F05/F07 □14

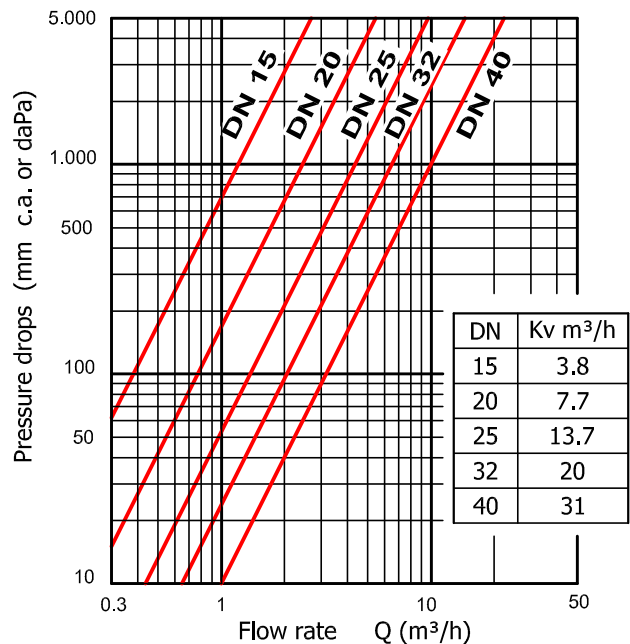
* with spacer H 70 mm



PRESSURE - TEMPERATURE ALLOWABLE RANGE

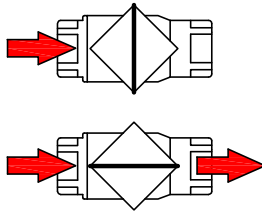


PRESSURE DROPS



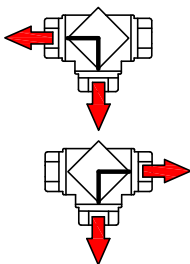
CODES AND COMPONENTS

2 WAYS



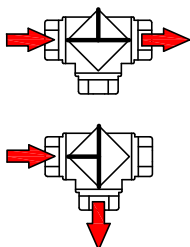
CODE	Threaded unions Ø	SERVOMOTORS	SPACER WITHOUT MANUAL OVERRIDE	SPACER WITH MANUAL OVERRIDE
832 FI	1/2"	M(R)7I.. series	H 42 code K3S7	H 76 code K3M7
802 FI	3/4"			
812 FI	1"	M(R)8I.. series	H 70 code K8I51	H 70 code DMI51
822 FI	1" 1/4			
842 FI	1" 1/2	M(R)9I.. series	H 70 code K9I54	H 70 code DMI54
852 FI	2"			

3 WAYS VALVE DEVIATING "L" BORED



CODE	Threaded unions Ø	SERVOMOTORS	SPACER WITHOUT MANUAL OVERRIDE	SPACER WITH MANUAL OVERRIDE
83A LI	1/2"	M(R)7I.. series	H 42 code K3S7	H 76 code K3M7
80A LI	3/4"	M(R)8I.. series	H 70 code K8I51	H 70 code DMI51
81A LI	1"			
82A LI	1" 1/4	M(R)9I.. series	H 70 code K9I54	H 70 code DMI54
84A LI	1" 1/2			

3 WAYS VALVE LATERAL DEVIATING



CODE	Threaded unions Ø	SERVOMOTORS	SPACER WITHOUT MANUAL OVERRIDE	SPACER WITH MANUAL OVERRIDE
83A TI	1/2"	M(R)7I.. series	H 42 code K3S7	H 76 code K3M7
80A TI	3/4"	M(R)8I.. series	H 70 code K8I51	H 70 code DMI51
81A TI	1"			
82A TI	1" 1/4	M(R)9I.. series	H 70 code K9I54	H 70 code DMI54
84A TI	1" 1/2			



A **SPACER** MUST BE ORDERED
TOGETHER WITH SERVOMOTORS
M(R)9I.. series

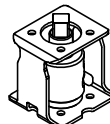
SPACER **WITHOUT**
MANUAL OVERRIDE
H 42 mm
CODE **K3S7**



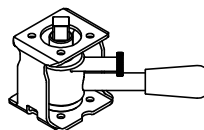
SPACER **WITH**
MANUAL OVERRIDE
H 76 mm CODE
K3M7



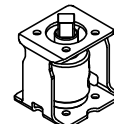
SPACER **WITHOUT**
MANUAL OVERRIDE
H 70 mm
COD. **K8I51**



SPACER **WITH**
MANUAL OVERRIDE
H 70 mm
COD. **DMI51**



SPACER **WITHOUT**
MANUAL OVERRIDE
H 70 mm
COD. **K9I54**



SPACER **WITH**
MANUAL OVERRIDE
H 70 mm
COD. **DMI54**

