

FAST LINE BALL VALVE KIT NCNA-S

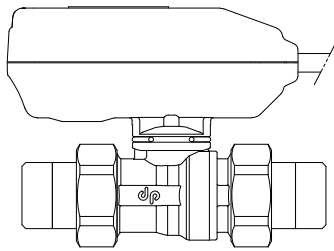
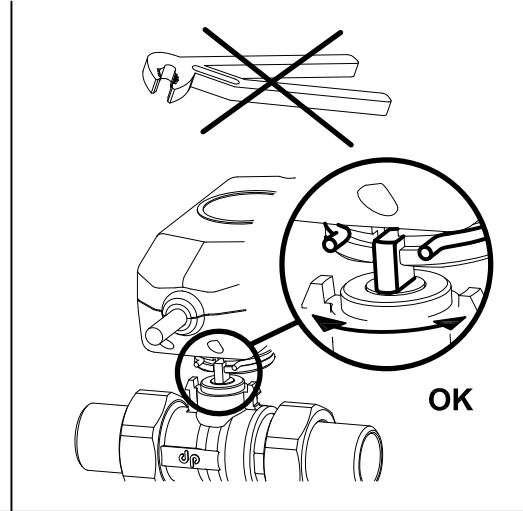
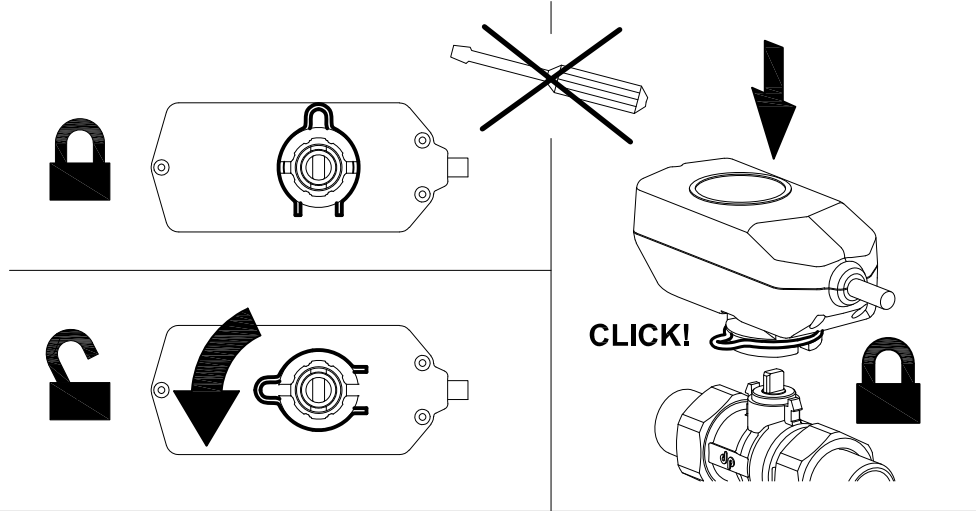
D.H.W. PRODUCTION WITH 2 HEAT SOURCES

1/2" - 3/4" - 1"

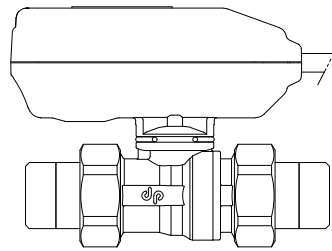
12" x 90°



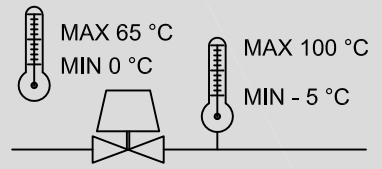
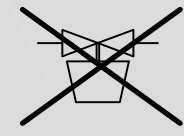
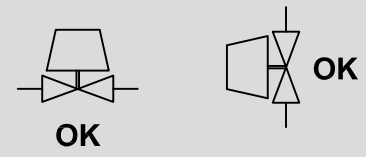
INSTRUCTION SHEET



R2A
NORMALLY
CLOSED



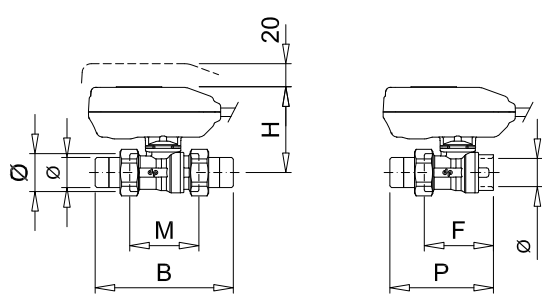
R2AA
NORMALLY
OPEN



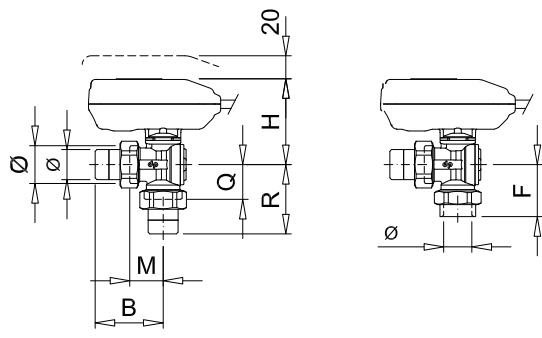
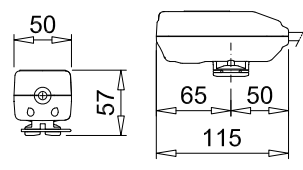
BEFORE INSTALLATION, MAKE SURE THE HYDRAULIC CIRCUIT IS CLEANED OF SOLID BODIES SUCH AS WELDING OR THREADING RESIDUES

FEATURES VALVE BODY

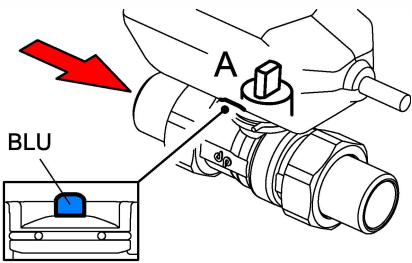
FLUID COMPATIBLE	WATER OR LIQUIDS COMPATIBLE WITH PTFE AND EPDM
TEMPERATURE LIMITS OF THE FLUID	- 5 ÷ 100 ° C
MAXIMUM WORKING PRESSURE	10 bar
MAXIMUM DIFFERENTIAL PRESSURE	4 bar



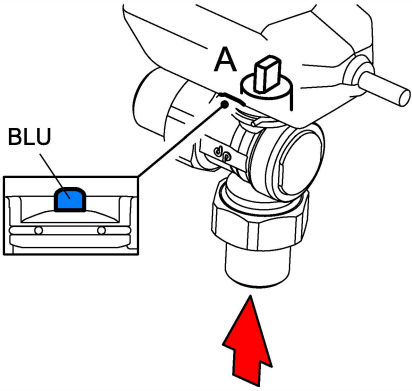
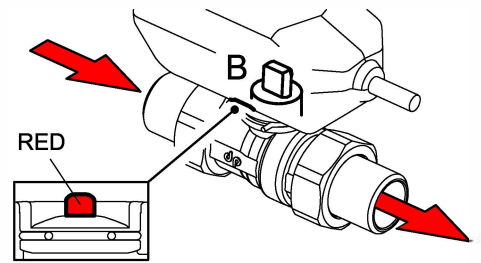
ø	Ø	H	M	B	F	P
1/2"	3/4"	75	59	113	59	86
3/4"	1"		60	120	60	90
1"	1" 1/4"	78	72	141	72	107



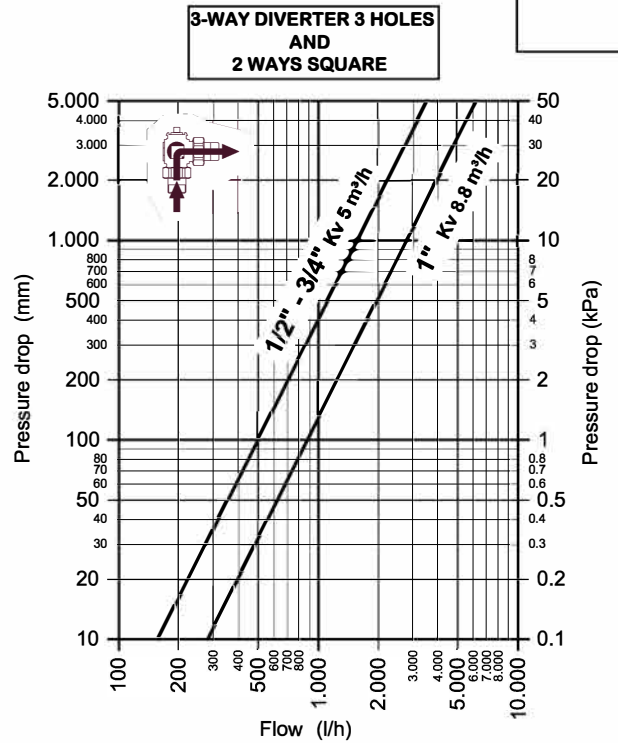
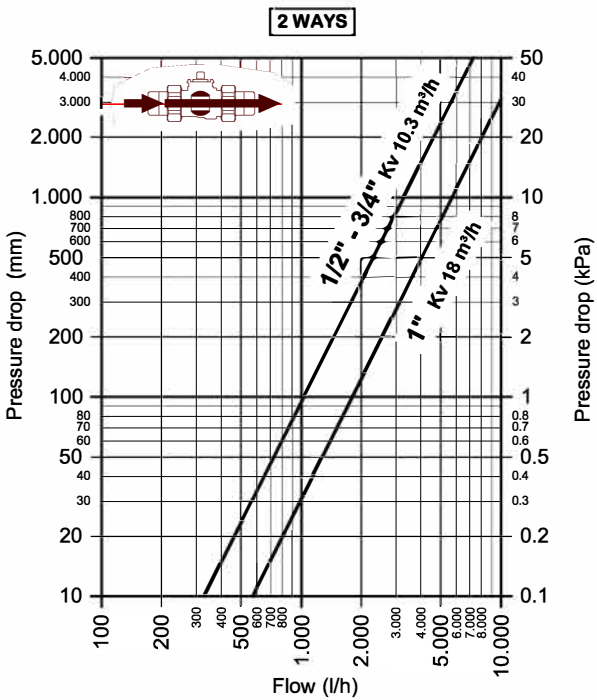
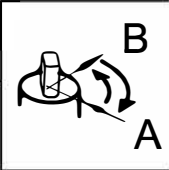
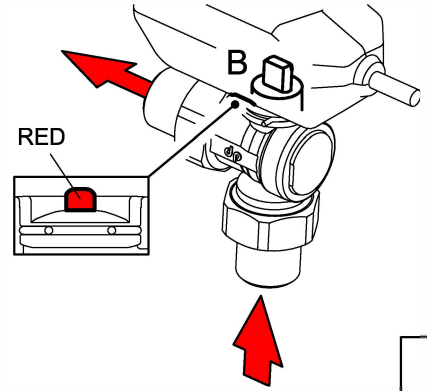
ø	Ø	H	M	B	Q	R	F
1/2"	3/4"	75	28	55	29	50	43
3/4"	1"		29	59	30	60	45
1"	1" 1/4"	78	34	69	35	70	52



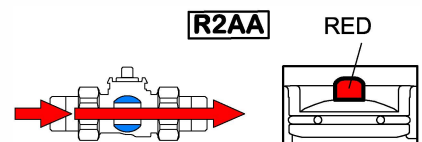
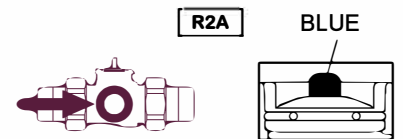
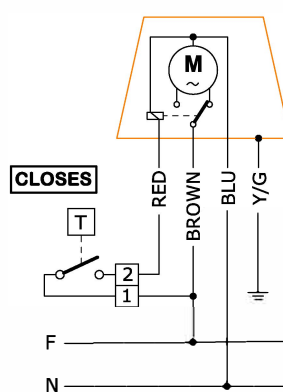
2 WAYS



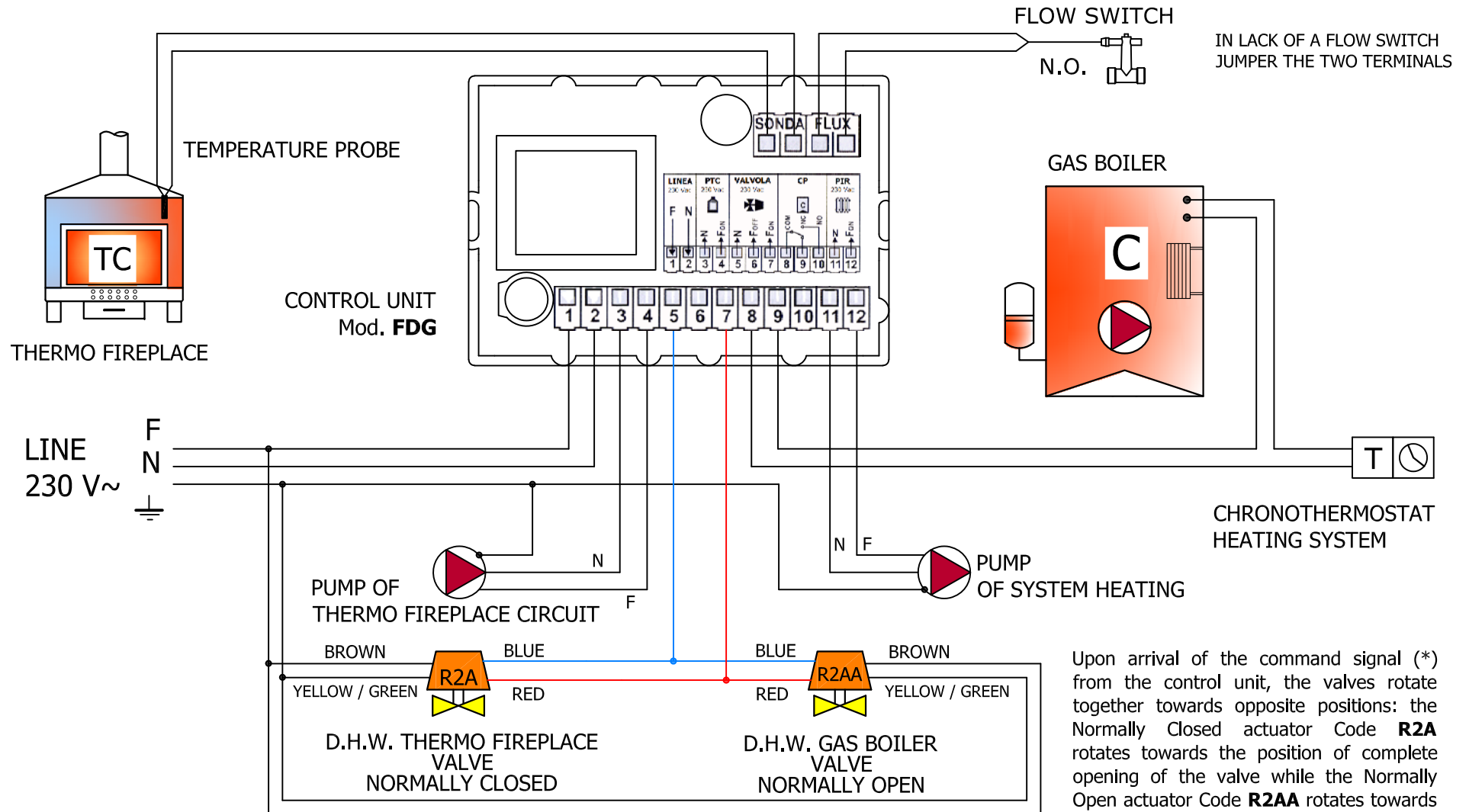
2 WAYS SQUARE



ACTUATORS FEATURES		
	R2A	R2AA
POSITION WITH CLOSE COMMAND	CLOSED	OPENED
TYPE OF COMMAND	2 WIRES	
SUPPLY	230 V - 50 Hz	
ELECTRIC CONSUMPTION	4 W	
WORKING TIME	12 " x 90 °	
WORKING ENVIRONMENT TEMPERATURE	0 ÷ 65 ° C	
IP RATING	IP 54	
CONTROL CABLE	4 x 0.75 mm ² - 1 meter	

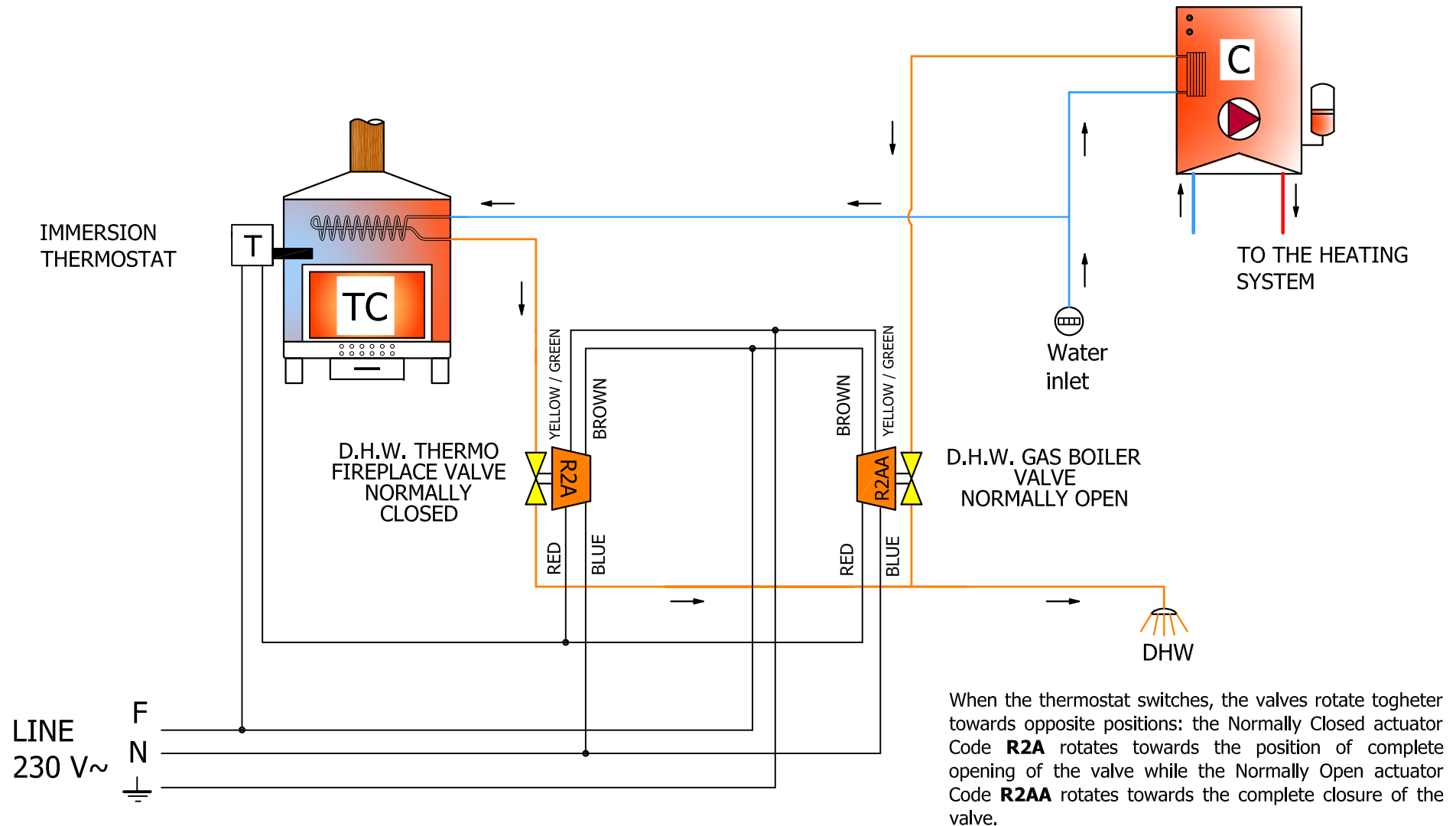


D.H.W. WITH 2 GENERATORS AND "FDG" DE PALA CONTROL UNIT



* The command signal of the control unit is factory set at 40°C. It is possible to set the temperature by acting on the control unit setting. Refer to the related instruction sheet.

D.H.W. WITH 2 GENERATORS AND IMMERSION THERMOSTAT



de pala

The contents of this instruction sheet are intended for the company that takes care of installation and maintenance. The hydraulic and electrical installation operations must be carried out by qualified personnel, in compliance with the laws and regulations of each country where the product is intended. The NCNA-S Kit must be provided only in the application context for which it was designed. The company De Pala srl, in the continuous process of improving its products, reserves the right to make any technical, dimensional and aesthetic changes it deems necessary without prior notice.

33080 ROVEREDO IN PIANO (Pordenone)
 Telefono 0434.920466 0434.923166

- Via del Lavoro, 10 -
 FAX 0434.591473

ITALY

Web : www.depala.it
 e-mail : info@depala.it