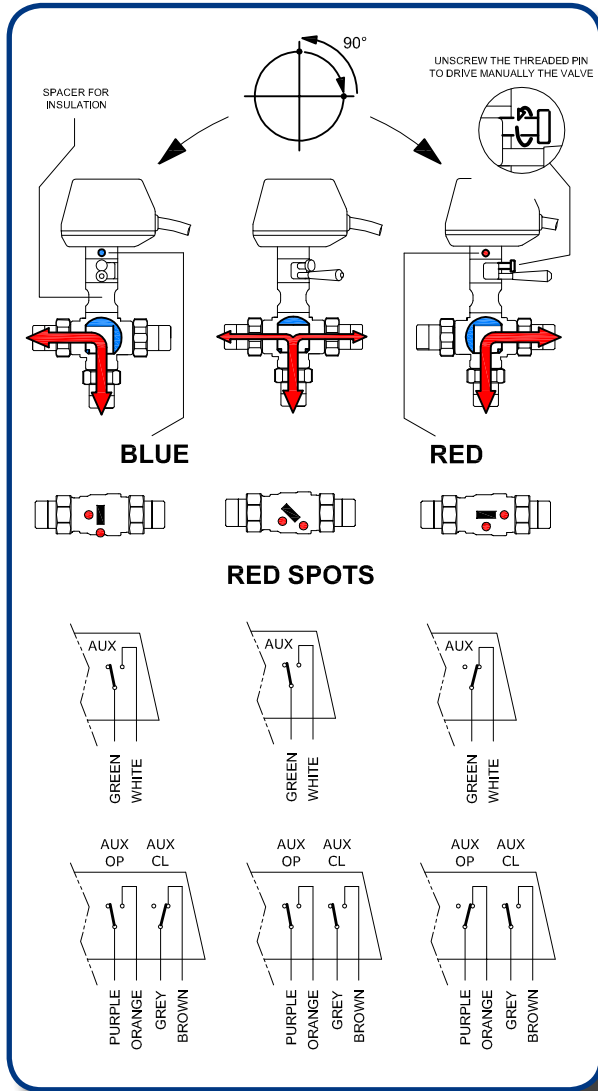
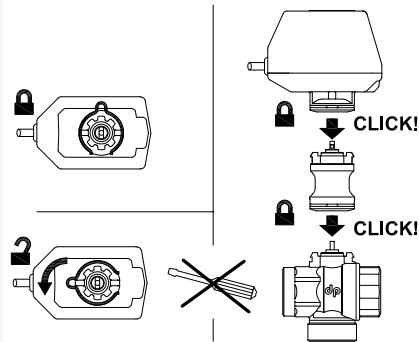


## MOTORISED BALL VALVE "FRIGO" 3 WAYS "T" BORED OPERATING INSTRUCTIONS

Utilisable fluids: water or liquids compatible with **PTFE** and **EPDM**. Before installing the valve be sure that no solid residues, like welding or threading residues, remain in the hydraulic circuit.



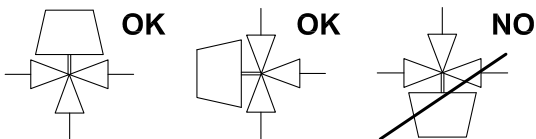
<b>Ambient temperature</b>	min. 0 °C max 65 °C
<b>Fluid temperature</b>	min. -15 °C max 110 °C
<b>Operating pressure</b>	max 16 bar
<b>Differential pressure</b>	max 6 bar
<b>IP rating</b>	IP 65



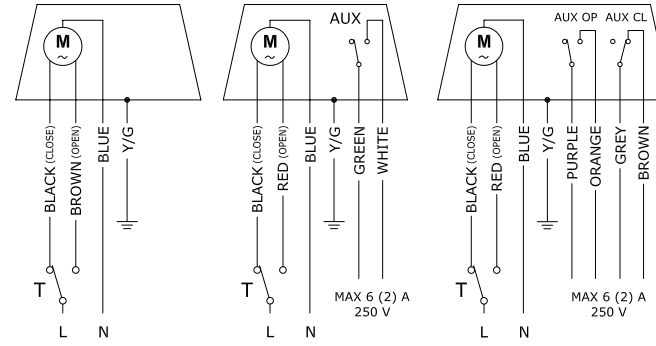
Spacer for use in refrigeration. Maximum insulation thickness: 40 mm



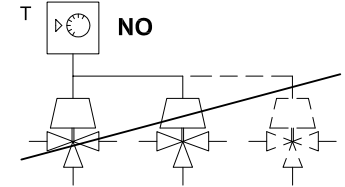
Insulating shell optional. Protection against condensation, practical adhesive fastener



230 Vac	24 Vac	230 Vac	24 Vac	230 Vac	24 Vac	op. time
P7A3N	P7S3N	P7B3N	P7C3N	P7X3N	P7Y3N	60" x 90°
P7A3WN	P7S3WN	P7B3WN	P7C3WN	P7X3WN	P7Y3WN	15" x 90°
P7A3XN	P7S3XN	P7B3XN	P7C3XN	P7X3XN	P7Y3XN	8" x 90°

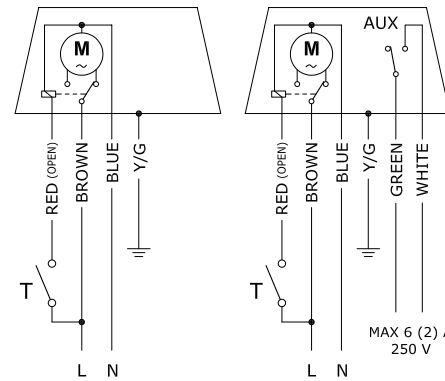


### 3 WIRES CONTROL P7(...)

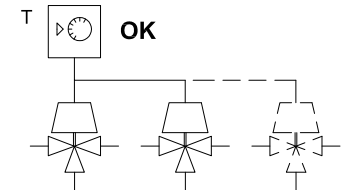


3 wires actuators **CANNOT** be connected in parallel to a single room thermostat / control unit.

230 Vac	24 Vac	230 Vac	24 Vac	op. time
T7A3	T7S3	T7B3	T7C3	60" x 90°
T7A3W	T7S3W	T7B3W	T7C3W	15" x 90°
T7A3X	T7S3X	T7B3X	T7C3X	8" x 90°



### 2 WIRES CONTROL T7(...)



2 wires actuators **CAN** be connected in parallel to a single room thermostat / control unit.

**GUARANTEE** - The Seller warrants each new servomotor to be free from defects in material, workmanship and construction, and that when installed and used in accordance with this technical datasheet will perform to applicable specifications for a period of two years from the date of delivery. If examination by the Seller discloses that the product has been defective, then its obligation is limited to repair or replacement, at its option, of the defective product or its components. The Seller is not responsible for products which have been subject to misuse, alteration, accident or for repairs not performed by the Seller. Products must be returned properly packed with transportation charges prepaid to The Seller; return delivery terms will be DDP Seller's Factory. The foregoing warranty constitutes the Seller sole liability, and is in lieu of any other warranty, of merchantability or fitness. The Seller shall not be responsible for any incidental or consequential damages arising from any breach of warranty.