

# ACTUATOR

FOR ISO 2 - 3-WAY VALVES

Ø 2"1/2, Ø 3", Ø 4"

ISO 5211 CONNECTION - FLANGE F05, SQUARE 14

## INSTRUCTION SHEET

### FUNCTIONING

The **M8 - R8** actuators are made up of a 230Vac or 24 Vac **BIDIRECTIONAL** electric motor, equipped with **ISO 5211** valve connection system: with flange **F03 - F05**, square **11**.

Opening and closing are achieved by 90° reversible rotation of the output shaft in 60 seconds.

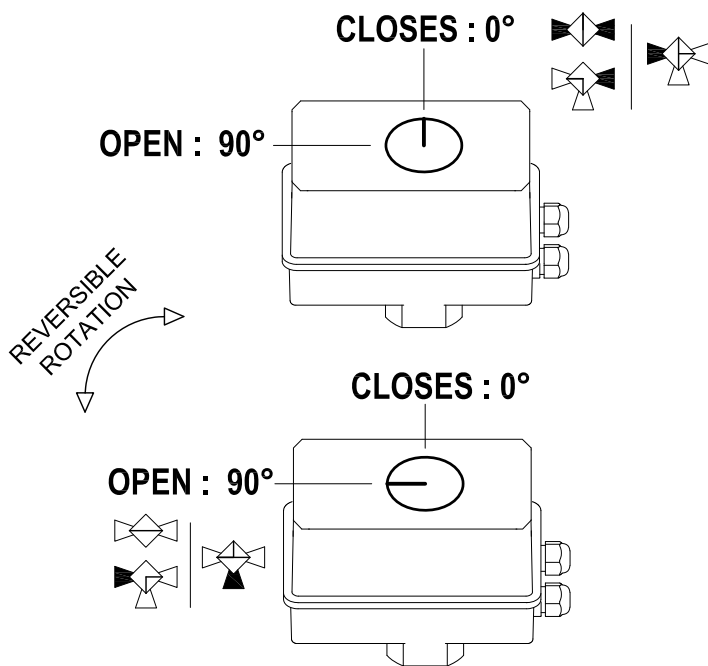
The **M9** series motor is controlled by a **3-WIRE** room thermostat (**electric line diverted to OPEN or CLOSE contact**) or by any **diverted** input. This thermostat (or generic input) must control only one actuator.

The **R9** series motor is controlled by a **2-WIRE** room thermostat (**electric line interrupted on OPEN contact**) or by any **interruption** input. This thermostat (or generic input) can control several actuators in parallel.

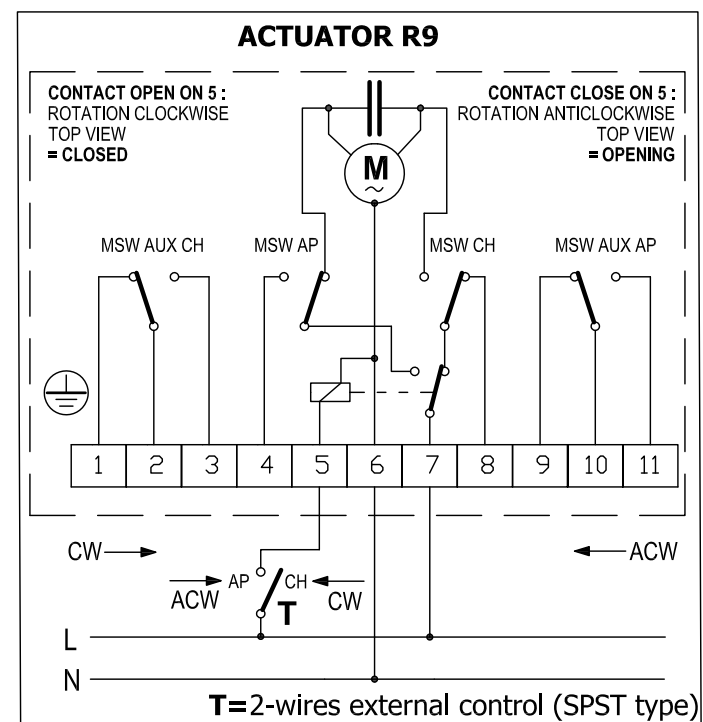
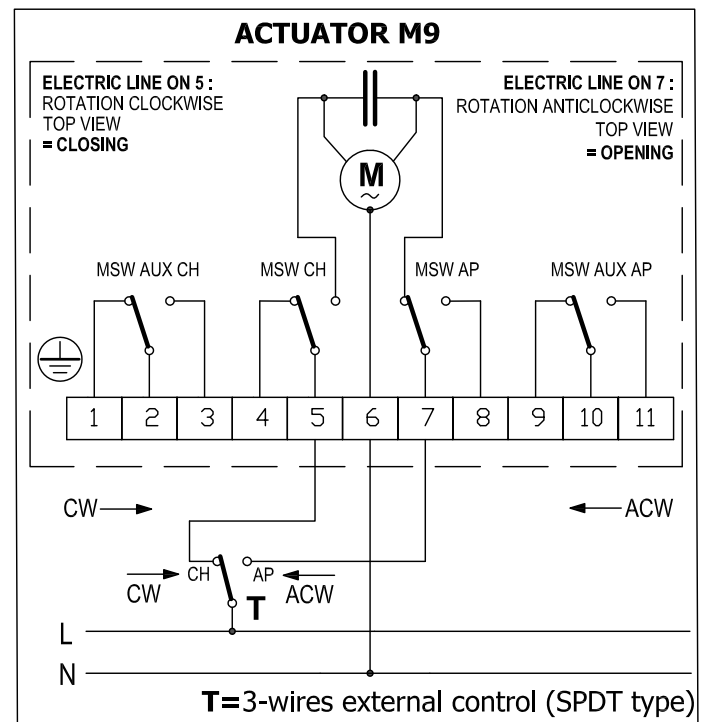
The actuator is equipped with **2 standard auxiliary microswitches (C - NO - NC)** with "clean" electrical contacts, which intervene respectively in the hydraulic opening and closing positions.

### VALVE-ACTUATOR COUPLING

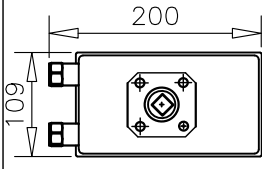
Make sure to couple the motor to the valve so that the opening and closing manoeuvre is in line :



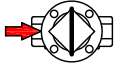
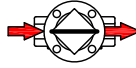
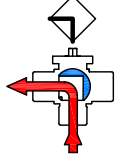
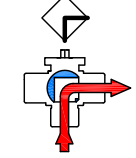
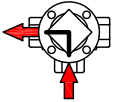
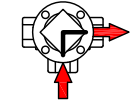
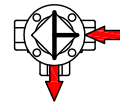
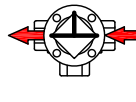
PAY ATTENTION TO THE OPENING AND CLOSING POSITIONS OF THE DE PALA VALVE, REPRESENTED ON THE HEAD OF ITS OPERATING SHAFT, BY A NOTCHED GROOVE IN MODE **I**, **L** OR **T**.



## ACTUATOR FEATURES

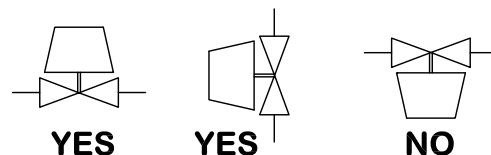
M9 - R9	SERVOMOTOR CODE			
	M9IB9	R9IB9	M9IC9	R9IC9
SUPPLY VOLTAGE	230 Vac +/- 10%		24 Vac +/- 10%	
COMMAND TYPE	3 WIRES	2 WIRES	3 WIRES	2 WIRES
ELECTRICAL PROTECTION GRADE	IP65			
 <p>Altezza : 143,5</p>	<ul style="list-style-type: none"> <li>- Manoeuvre time : 60" x 90° bidirectional</li> <li>- Starting torque : 50 Nm</li> <li>- Operating temperature : 0°C / +65°C</li> <li>- Electrical consumption : 10,5 W only during operation</li> <li>- Flange : ISO 5211 : F05, square 14</li> <li>- Auxiliary contacts : (*) n°2, capacity 16(6) A - 250 Vac</li> </ul>			

## COUPLING TO DE PALA VALVE BODIES

VALVE TYPE	CLOSING POSITION	OPENING POSITION	VALVE BODY CODES
2 WAYS			662 FI / 672 FI / 682 FI / 662 FL / 672 FL / 682 FL
3-WAYS "T" BORED BALL COMPLANAR DIVERTER			673 TI / 673 FT
3-WAYS "T" BORED BALL FRONTAL DIVERTER			66A LI / 663 FF
3-WAYS LATERAL DIVERTER			66A TI / 663 FD

## VALVE AND RELATED ACTUATOR COUPLING

The valve and its actuator can be installed in any position except the reverse position (i.e. the actuator is mounted with the cap facing downwards). It is recommended to mount the valve body on the pipeline first, and then couple the actuator to it when starting the system. For this purpose, they are supplied with their own packaging.



The informations in this document are intended for the company responsible for installation and maintenance. The hydraulic and electrical installation operations must be carried out by qualified personnel, in accordance with the laws and regulations of each country where the product is destined. The product must only be used in the application context for which it was designed. De Pala srl, in the continuous process of improving its products, reserves the right to make any technical, dimensional and aesthetic changes it deems necessary without prior notice.

**de pala**